

NORAC Ultrasonic Sensor



NORAC's Ultrasonic Sensor is designed specifically for the agricultural industry.

The initial concept of NORAC's Ultrasonic Sensor was developed more than 15 years ago and has cultivated into a leading technology of high precision.

Easy to Configure

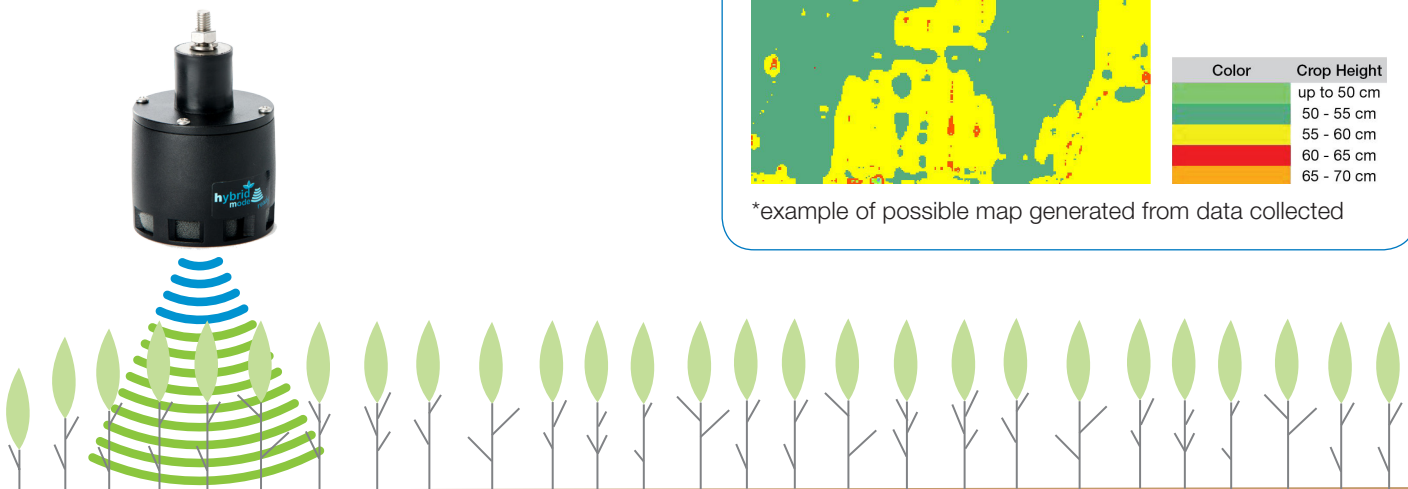
The NORAC Ultrasonic Sensor communicates in the proprietary range of the ISO 11783 protocol. The development platform ensures that all settings are easy to configure and verify.

Microprocessor Based

Each NORAC Ultrasonic Sensor contains its own ECU capable of performing all computations onboard and outputting a final value to an external device for use in applications requiring distance measurements.

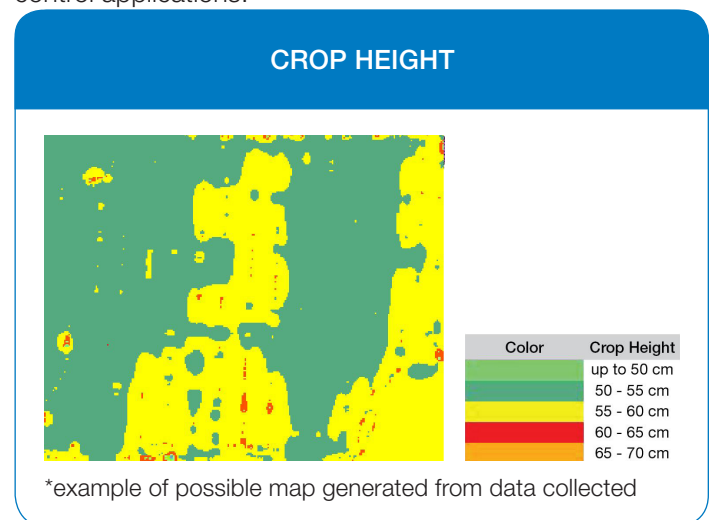
Temperature Compensated

In all three measurement modes the internal temperature of the sensor is measured and reported. The sensor outputs are temperature compensated to provide improved measurement accuracy.



Advanced Clarity

The NORAC Ultrasonic Sensor has more clarity than other sensors on the market. It is capable of reporting the top of the crop, soil, and multiple levels in between simultaneously. This is useful in applications where the crop height and other agronomic data is of interest such as prescription mapping, real time variable rate, crop measurement, and crop mapping. The readings can be used in conjunction with NORAC's patented Hybrid Mode™ algorithms, which use a "virtual top of crop" to add stability for a variety of control applications.



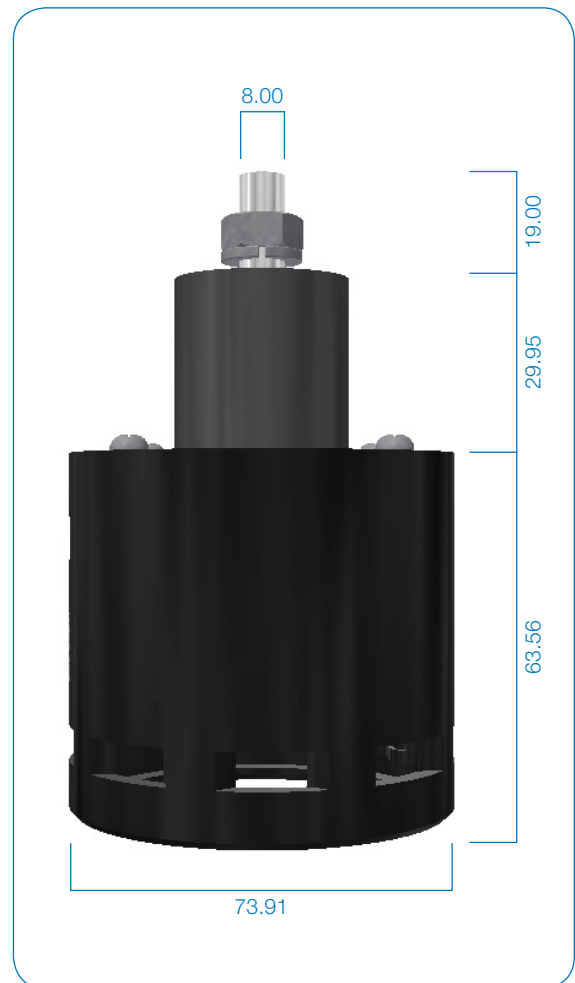


NORAC ULTRASONIC SENSOR

- Custom designed and manufactured by NORAC
- Used specifically for agricultural applications and other demanding environments
- Read multiple targets simultaneously, providing more clarity and detail
- Proven reliability

SPECIFICATIONS

Supply Voltage:	8-30 Vdc
Supply Current:	0.2 A @ 12 Vdc
Measurement Range:	150 mm to 10 m+
Burst Frequency:	50 kHz
Adjustable Report Frequency:	35 ms typical (5 ms
Resolution:	increments)
Adjustable Dead Band:	1 mm
Operating Temperature:	15 cm to 150 mm
Communication:	-20 to 70°C
Protocol:	CANbus 2.0
Housing Material:	ISO 11783 Compliant
Mounting:	Black Di-cast Aluminum
Connection Type:	8 mm bolt
Cable Length:	Deutsch DT06-6S



Dimensions in mm

Hardware and software customizations may be developed based on the application and customer requirements.

NORAC SYSTEMS INTERNATIONAL INC.

3702 Kinnear Place
Saskatoon, SK S7P 0A6
Canada
Phone: (+1) 306 664 6711
Fax: (+1) 306 664 6664
Toll Free: (+1) 800 667 3921

NORAC, INC.

6667 West Old Shakopee Road, Suite 111
Bloomington, MN 55438
United States
Phone: (+1) 952 224 4142
Fax: (+1) 952 224 4149
Toll Free: (+1) 866 306 6722

NORAC EUROPE SARL

Rue de l'Hermitage
01090 Guéreins
France
Phone: +33 (0)4 26 47 04 42

WWW.NORAC.CA
SALES@NORAC.CA

Printed in Canada